

(12) STANDARD PATENT
(19) AUSTRALIAN PATENT OFFICE

(11) Application No. **AU 2012331722 B2**

(54) Title
Reconfigurable multivibrator element based on chaos control

(51) International Patent Classification(s)
H03K 3/84 (2006.01)

(21) Application No: **2012331722** (22) Date of Filing: **2012.11.01**

(87) WIPO No: **WO13/066143**

(30) Priority Data

(31) Number	(32) Date	(33) Country
61/554,187	2011.11.01	US

(43) Publication Date: **2013.05.10**

(44) Accepted Journal Date: **2014.06.19**

(71) Applicant(s)
Instituto Potosino de Investigacion Científica y Tecnológica, A.C.

(72) Inventor(s)
Campos Canton, Eric;Campos Canton, Isaac;Barajas Ramirez, Juan Gonzalo;Fermat Flores, Alejandro Ricardo

(74) Agent / Attorney
Summit IP, PO Box 81, Hope Valley, SA, 5090

(56) Related Art
US 6,600,379

(12) SOLICITUD INTERNACIONAL PUBLICADA EN VIRTUD DEL TRATADO DE COOPERACIÓN EN MATERIA DE PATENTES (PCT)

(19) Organización Mundial de la Propiedad Intelectual
Oficina internacional



(10) Número de Publicación Internacional
WO 2013/066143 A1

(43) Fecha de publicación internacional
10 de mayo de 2013 (10.05.2013) **WIPO | PCT**

- (51) Clasificación Internacional de Patentes:
H03K 3/84 (2006.01)
- (21) Número de la solicitud internacional:
PCT/MX2012/000108
- (22) Fecha de presentación internacional:
1 de noviembre de 2012 (01.11.2012)
- (25) Idioma de presentación: español
- (26) Idioma de publicación: español
- (30) Datos relativos a la prioridad:
us 61/554,187
1 de noviembre de 2011 (01.11.2011) US
- (71) Solicitante: **INSTITUTO POTOSINO DE INVESTIGACION CIENTIFICA Y TECNOLOGICA, AC.** [MX/MX]; Camino a la Presa San José 2055, Col. Lomas 4a Sección, C.P. 78216 San Luis Potosí, S.L.P. (MX).
- (72) Inventores: **CAMPOS CANTON, Eric**; Circuito Andalucía 116, Fracc. Villas de San Lorenzo, C.P. 78433, Soledad de Graziano Sánchez, San Luis Potosí (MX). **CAMPOS CANTON, Isaac**; Av. Hidalgo 49, Col. Mineral de Pozos, C.P. 37910, San Luis de la Paz, Guanajuato (MX). **BARAJAS RAMIREZ, Juan Gonzalo**; Oyamel 405, Int. 101, Col. Industrial Mexicana, C.P. 78309, San Luis Potosí (MX). **FERMAT FLORES, Alejandro Ricardo**; CF Vazquez y Espinosa 120, Col. Viveros, C.P. 78290, San Luis Potosí (MX).
- (74) Mandatarios: **GARCIA CALDERON, Norma Isabel** et al.; Camino a la Presa San José 2055, Col. Lomas 4a Sección, C.P. 78216 San Luis Potosí (MX).
- (81) Estados designados (*a menos que se indique otra cosa, para toda clase de protección nacional admisible*): AE, AG, AL, AM, AO, AT, AU, AZ, BA, BB, BG, BH, BN, BR, BW, BY, BZ, CA, CH, CL, CN, CO, CR, CU, CZ, DE, DK, DM, DO, DZ, EC, EE, EG, ES, FI, GB, GD, GE, GH, GM, GT, HN, HR, HU, ID, IL, IN, IS, JP, KE, KG, KM, KN, KP, KR, KZ, LA, LC, LK, LR, LS, LT, LU, LY, MA, MD, ME, MG, MK, MN, MW, MX, MY, MZ, NA, NG, NI, NO, NZ, OM, PA, PE, PG, PH, PL, PT, QA, RO, RS, RU, RW, SC, SD, SE, SG, SK, SL, SM, ST, SV, SY, TH, TJ, TM, TN, TR, TT, TZ, UA, UG, US, UZ, VC, VN, ZA, ZM, ZW.
- (84) Estados designados (*a menos que se indique otra cosa, para toda clase de protección regional admisible*): ARIPO (BW, GH, GM, KE, LR, LS, MW, MZ, NA, RW, SD, SL, SZ, TZ, UG, ZM, ZW), euroasiática (AM, AZ, BY, KG, KZ, RU, TJ, TM), europea (AL, AT, BE, BG,

[Continúa en la página siguiente]

(54) Title: RECONFIGURABLE MULTIVIBRATOR ELEMENT BASED ON CHAOS CONTROL

(54) Título : ELEMENTO MULTIVIBRADOR RECONFIGURABLE BASADO EN CONTROL DE CAOS

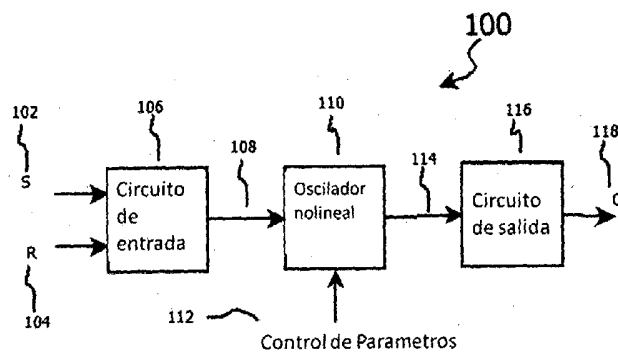


Fig. 1

(57) Abstract: The invention relates to a reconfigurable element based on (chaotic) nonlinear dynamics, which is designed to be used in three different multivibrator configurations. A nonlinear dynamic system, under parametric modulation control, operates as an adjustable oscillator with different dynamic states which, in turn, produce different multivibrator configurations (monostable, astable and bistable). The reconfigurable multivibrator takes the form of an adjustable circuit including an input stage for receiving at least one input voltage signal and an output stage which produces an electronic digital output signal having two levels. The all-in-one reconfigurable multivibrator, which consists of a nonlinear oscillator electrically coupled to input/output circuitry, is used in, but not limited to, at least three basic applications, namely: an irregular-width-pulse generator, a trailing-edge trigger, and a full bistable SR logic device (flip-flip).

(57) Resumen:

[Continúa en la página siguiente]



WO 2013/066143 A1



CH, CY, CZ, DE, DK, EE, ES, FI, FR, GB, GR, HR, HU, IE, IS, IT, LT, LU, LV, MC, MK, MT, NL, NO, PL, PT, RO, RS, SE, SI, SK, SM, TR), OAPI (BF, BJ, CF, CG, CI, CM, GA, GN, GQ, GW, ML, MR, NE, SN, TD, TG).

— *antes de la expiración del plazo para modificar las reivindicaciones y para ser republicada si se reciben modificaciones (Regla 48.2(h))*

Publicada:

— *con informe de búsqueda internacional (Art. 21(3))*

Un elemento reconfigurable basado en dinámica no lineal (caótico) es adaptado para implementar los tres diferentes configuraciones de multivibrador. Un sistema dinámico no lineal, bajo un control por modulación paramétrica, opera como un oscilador ajustable con diferentes regímenes dinámicos, los cuales a su vez producen las diferentes configuraciones de multivibrador (monoestable, a estable, y biestable). El multivibrador reconfigurable se realiza como un circuito ajustable el cual incluye una etapa de entrada para recibir al menos una señal de voltaje de entrada, y una etapa de salida, la cual produce una señal de salida digital electrónica de dos niveles. El dispositivo multivibrador reconfigurable todo-en-uno que consiste de un circuito oscilador no lineal eléctricamente acoplado a una circuitería de entrada/salida es utilizado en al menos, pero no limitado a, tres aplicaciones básicas, estas son, un generador de pulsos con ancho irregular, un disparador de flanco de subida, y un dispositivo lógico RS completo biestable (flip-flop).

RECONFIGURABLE MULTIVIBRATOR ELEMENT BASED ON CHAOS CONTROL

Cross-reference to related applications

5

This application claims the benefit of priority to U.S. Provisional Application No. 61/554,187 filed November 01, 2011, the contents of which are incorporated herein by reference.

10 Field of the invention

The present invention relates to the field of reconfigurable structures and, more particularly, reconfigurable multivibrator electronic devices. As an underlying principle, this invention uses the dynamical richness of nonlinear (chaotic) systems to provide
15 different alternatives or embodiments of multivibrators. Where a nonlinear oscillator circuit, a simple input circuit, and a comparator function (output circuit) are made to operate in astable, monostable or bistable mode.

20 Background of invention

Chaos is known to be useful. In fact, under certain conditions, it is a desirable feature of systems and circuits. The dynamical richness of chaotic behavior has significant potential applications to real-world problems, including secure
25 communications, persistent excitation, information processing and incryption, to mention but a few (Ott, 2002 "Chaos in Dynamical Systems (Cambridge University Press, UK); Strogatz, S.H. 2001 "Nonlinear Dynamics, and Chaos: with applications to physics, biology, chemistry, and engineering (Westview Press, USA)); Tam et al., 2007 "Communications with Chaos: Multiple access techniques and performance (Elsevier
30 Science Press, Great Britain)). In particular, the present invention uses chaos theory to design a reconfigurable multivibrator element in order to have different configurations in

an all-in-one circuit.

A multivibrator circuit is a simple two-state system that has only one of three possible configurations, these are:

5 (i) Astable multivibrator, in this configuration, both states of the system are unstable. As a consequence, the output of the circuit spends a given amount of time in one state, and then in the other, moving back and forth from one to the other in a continuously repeated cycle. Usually, this configuration is used to generate sequences and pulses with a given frequency and width, see for example patents JP53085479,
10 US4191927.

(ii) Monostable multivibrator, in this configuration, one state of the circuit is stable while the other is unstable. As such, the system may spend some time in the unstable state, but eventually will move into the stable state and remain there afterwards. This configuration can be used, for instance, to define a time-period of activity measured
15 from an event, for example in JP57044768, US4430682 monostable multivibrators are used in motor timing.

(iii) Bistable multivibrator, in this configuration both states are stable. This implies that the circuit remains in its current state, until being forced to change to the other by an external event or input. A multivibrator system in bistable configuration can be used
20 as a fundamental building block of a register or memory device, for example in US patents 4081840 and 4191927, a bistable multivibrator is used as part of a switching device.

There is great interest in developing new working paradigms to complement and
25 even replace current statically configurable architectures. One of the newest ideas is chaos computing which focuses on the development of devices with dynamic logic architecture and employs nonlinear or chaotic elements in logic operations. Application of chaos computing requires the development of dynamic logic gates (also called logic cells) that are able to change their response according to threshold reference signals
30 and offset signals in order to produce different logic gates. These dynamic logic gates would support development of logic chips for next generation computers. Current

inventions related to logic gates that exploit features of nonlinear dynamic systems through their electronic implementations are, for example, US Patents 8091062, 7973566, 7924059, 7863937, 7415683, 7096437, 7453285, 7925814, 7925131 and US patent application 2010/0219858. These inventions make use of chaotic computing architectures based on nonlinear elements, while the present invention discloses reconfigurable multivibrator using a nonlinear oscillator.

Reconfigurable structures based on chaos have been investigated for a long time, with significant results, such as: [Cafagna, D. & Grassi, G. 2005. "Chaos-based computation via Chua's circuit: Parallel computing with application to the SR flip-flop," Int. Symp. Sign. Circuits Syst. 2, 749–752.] where the chaotic Chua's circuit use it to obtain two logic gates from two state variables, from those chaos-based logic they implemented two NOR gates and build a standard flip-flop device. Alternative realizations of chaos-based logic gate have been reported [Sinha, S. & Ditto, W. 1998 "Dynamics based computations," Phys. Rev. Lett. 81, 2156–2159.; Murali K., Sudeshna S. 2003 "Experimental realization of chaos control by thresholding", Physical Review E., vol. 68, Jul. 14, 2003; Campos-Cantón E., J. G. Barajas-Ramírez, G. Solís-Perales, R. Femat, 2010, "Multiscroll attractors by switching systems". CHAOS, 20: 013116]. With these logic gates is possible to build just a static bistable multivibrator.

Different methods for the construction of multivibrators have been disclosed, for example US patents 6281732, 4301427, and GB1416931 describe constructions of astable, monostable and bistable multivibrators based on stabilized amplifiers, mosfets and inverters. However, unlike the present invention these multivibrators have fixed configurations, without the possibility of reconfiguration. In many applications of multivibrators more than one configuration is required, for example in devices for measurement and control of temperature, acoustic, and motor timing (see patents US4081840, US731082, JP53085479). In these inventions it is compulsory to combine more than one multivibrator configuration. The reconfigurable multivibrator provided in the present invention discloses a single device to obtain an all-in-one multivibrator configuration (monostable, astable, and bistable).

Summary of the invention

The instant application discloses and claims a dynamically reconfigurable
5 multivibrator element, comprising: an input block coupled to a nonlinear chaotic system
with a control input that adjust the parameters in order to change a desirable
multivibrator configuration and coupled to an output block; wherein the nonlinear chaotic
system is a Piecewise-linear (PWL) chaotic system and wherein the output block
comprises at least one comparator circuit.

10

In said dynamically reconfigurable multivibrator element the adjustment of the
parameters allows to get the three different multivibrator configurations, astable,
bistable and monostable. Furthermore, wherein the dynamically reconfigurable
multivibrator element is set to bistable configuration becomes the embodiment of a full
15 SR flip-flop. wherein the full SR flip-flop accepts all the logic inputs (S,R): (0,0), (0,1),
(1,0) and (1,1) and responds as (Q_{n+1}): Q_n , 0,1, and Q_n , respectively.

15

Also, said dynamically reconfigurable multivibrator element, when is set to
astable configuration becomes the embodiment of a pulse generator with irregular
20 period when the nonlinear element is oscillating chaotically or regular pulses when is
oscillating into a limit cycle.

20

In a further embodiment, said dynamically reconfigurable multivibrator element,
when is set to monostable configuration becomes unstable in the state logic zero and
25 stable in the state logic one.

25

As a particular embodiment said dynamically reconfigurable multivibrator
element, comprises an input block, a piecewise-linear (PWL) chaotic system with a
control input that adjusts the parameters in order to change a desirable multivibrator
30 configuration, and an output block with at least one comparator circuit.

30

Also, it is described an claimed a SR flip-flop device, comprising the above mentioned

dynamically reconfigurable multivibrator elements.

Finally a pulse generator device is described, comprising the above disclosed dynamically reconfigurable multivibrator elements.

5 **Brief description of the drawings**

FIG. 1 is a block diagram of a reconfigurable dynamic multivibrator device using an input circuit, a nonlinear oscillator and comparator function in the output circuit.

10 FIG. 2 is a circuit schematic of the reconfigurable multivibrator device of Fig. 1 according to one embodiment of the present invention; The elements 202, 204, 206, 208, 210, 212, 214, 216, 218, 220, 222, 224, 226, 228, 230, 232 and 234 constitute the input block, the output block is comprised by the elements 236, 238, 240, 242, 244 and 246, and the nonlinear oscillator is made up by the elements 248, 250, 252, 254, 256,
15 258, 260, 262, 264, 266, 268, 270, 272, 274, 276, 278 and 280.

FIG. 3 is a series of timing graph illustrating timing sequences of implementations of a representative bistable multivibrator configuration formed in accordance with the inventive arrangements disclosed herein that generates a full RS flip-flop.

20

FIG. 4 is a series of timing graph illustrating timing sequences of implementations of an astable multivibrator configuration formed in accordance with the arrangements by using the dynamically reconfigurable multivibrator element disclosed in the instant invention.

25

FIG. 5 is a series of timing graph illustrating timing sequences of implementations of a representative monostable multivibrator configuration formed in accordance with the inventive arrangements disclosed herein.

30

Detailed description of the invention

The instant invention comprises a dynamically reconfigurable multivibrator element based on nonlinear (chaotic) dynamics which through a parameter modulating control specially designed to operate as one of the three multivibrator configurations, namely, astable, monostable or bistable multivibrator circuits. The advantage of the element is that a single device (all-in-one) is capable of carrying out the three configurations without additional multivibrator elements.

As for the scope of the invention, the term element should be understood as a circuit that can be incorporated to a larger system, device or circuit suitable for the purposes of the invention.

The invention comprises nonlinear dynamics of a Piecewise Linear (PWL) system used to provide the three different multivibrator configurations. Structurally PWL systems are very simple, consisting of linear descriptions for each partition of their phase space. This simplicity makes them particularly well-suited for electronic implementations, e.g. via operational amplifiers. On the other hand, they can produce dynamical behaviors that range from stable fixed points to multiscroll chaotic attractors. As described in [Campos-Cantón E., J. G. Barajas-Ramírez, G. Solís-Perales, R. Femat, 2010, "Multiscroll attractors by switching systems". CHAOS, 20: 013116], different dynamical regimes can be imposed on the solutions of a PWL system by properly tuning the system's parameters. In this way, an analogy between the three multivibrator configurations and the dynamical regimes of a PWL system can be obtained as follows:

25

(i) Astable multivibrator. By applying parameter modulation control, a PWL system can be made to have a double-scroll chaotic attractor with a basin of attraction covering its entire domain. By associating to each scroll a different output state, as the trajectories of the system move along the chaotic attractor, the output state will continuously switch from one output state to the other, which corresponds to the behavior of an astable multivibrator. It is noteworthy that since the transitions between

30

the output states occurs as the trajectory moves along the chaotic attractor, the transitions will occur at irregular times and not with a fixed period.

(ii) Monostable multivibrator. A controlled PWL system can be made to have a single-scroll chaotic attractor for its entire domain. By dividing the domain along the center axis with the single-scroll attractor contained in one side, it is possible to associate an output state to the empty part of the domain and the other output state to the single-scroll attractor. Then, as the trajectories move from the empty half of the domain towards the single-scroll attractor, the output state will be at one value for a while, and when the trajectory reaches the attractor, the output will switch to the other state and remain at that value from that moment on. In this way, the monostable multivibrator behavior is obtained from a PWL system via chaos control.

(iii) Bistable multivibrator. Under appropriate parameter modulating control a PWL system can be made to have two different stable single-scroll attractors located each side of the center axis of the domain. When there are two stable chaotic attractors and it is possible to generate only one of them by means of changing the initial conditions, it is said that the system exhibits bistable chaos. In this case the trajectories will follow only one of the attractors according to their initial conditions. That is, in bistable chaos, each attractor has its own distinct basin of attraction. Then, associating each output state to the basins of attraction of each single-scroll chaotic attractor, if an initial condition is set to one of the attractors the output state will remain at that value from that moment on. However, if the initial condition is set to the opposite side, the other output state will be shown from that moment onwards. As such, the behavior of the bistable multivibrator is obtained from the controlled PWL system.

Thus, the present invention provides a reconfigurable multivibrator that can be configured to function as any of a variety of different multivibrators such as a bistable multivibrator, a monostable multivibrator and an astable multivibrator. The functionality of the reconfigurable multivibrator can be altered by changing one or more parameters to the nonlinear oscillator. The reconfigurable multivibrator can function, for example, as

one type of multivibrator, such as a bistable multivibrator, and during operation be instructed to begin operating or functioning as another type of multivibrator, such as an astable multivibrator or monostable multivibrator or combinations thereof. Applications are illustrated herein below by designing a circuit that functions as a pulse generator and a full S-R flip flop device based on the all-in-one reconfigurable multivibrator element.

Table I below illustrates a truth table of basic operations. For example, column 3 illustrates the function of a bistable multivibrator given inputs (S,R), column 4 shows the function of an astable multivibrator given inputs (S,R), and column 5 shows the function of a monostable multivibrator given inputs (S,R).

TABLE 1

1	2	3	4	5
S	R	Bistable Q_n	Astable Q_n	Monostable Q_n
0	0	Q_{n-1}	Free running	Free running
0	1	0	Not allowed	Not allowed
1	0	1	Not allowed	Not allowed
1	1	Q_{n-1}	Free running	Free running

15

Figure 1 is a schematic diagram illustrating a high level circuit architecture 100 for a reconfigurable multivibrator in accordance with the present invention. Therefore, this Figure 1 discloses the essential technical characteristic of the invention, and should be taken as the main principle of the same. As shown, the reconfigurable multivibrator can include a nonlinear oscillator 110, a parameters controller 112, an input circuit 106, and an output circuit 116. The parameters controller provides a tuning of parameters that change the stability of the nonlinear oscillator. The input block can receive the inputs signals S 102 and R 104, when S and R are equal the signal 108 is null but when they are different then signal 108 forced the nonlinear oscillator 110. The output

20

block **116** receives the signal **114** which is compared with a reference signal in order to generate a logic zero or logic one that are given as the output Q **118**.

The operation of the nonlinear oscillator **110** according to the present invention
 5 can be described by the mathematical model as follows:

$$\begin{pmatrix} \dot{x}_1 \\ \dot{x}_2 \\ \dot{x}_3 \end{pmatrix} = \begin{pmatrix} \alpha (x_2 - x_1 - f(x_1)) \\ x_1 - x_2 + x_3 \\ -\beta x_2 + \gamma x_3 \end{pmatrix}$$

where $f(x_1)$ is a nonlinear negative resistor which is described as

$$f(x_1) = \begin{cases} b_1 x_1 - c_1, & \text{if } x_1 > 1; \\ \alpha x_1, & \text{if } |x_1| \leq 1; \\ b_2 x_1 + c_2, & \text{if } x_1 < -1; \end{cases}$$

with $c_i = b_i - \alpha, i = 1, 2$. Thus, the nonlinear oscillator **110** can be implemented as
 10 a three dimensional Chua's system. Given a dynamics $(\dot{x}_1, \dot{x}_2, \dot{x}_3)^T$ corresponding to a physical device, the values of parameters and initial state satisfying the conditions derived from the truth table to be implemented must be determined. Still, those skilled in the art will recognize that other functions also can be used, including, but not limited to, discrete time chaotic functions.

15

EXAMPLES.

As a preferred embodiment, that should be taken as a work example but not limiting the scope of the invention, Figure 2 represents schematic diagram illustrating an exemplary circuit implementation of the dynamically reconfigurable multivibrator
 20 element **100** depicted in Figure 1. The operation of the input block according to the present invention may be described as follows: there are two inputs **202** (S) and **204** (R) that are introduced to the system by the resistors **214** (R₂₀₉) and **206** (R₂₀₆). The input **204** (R) is passed through inverting amplifier given by the operational amplifier **210** (U₂) and the resistor **206** (R₆) and **208** (R₇). The output of the operational amplifier **216** (U₃)
 25 is the voltage **262** (V₁) which is added with the input signal **202** (S) and the output of operational amplifier **210** (-R) through the resistors **212** (R₈), **214** (R₉), **218** (R₁₀) and **220** (R₁₁) and the operational amplifier **222** (U₄) by means of inverting adder. Thus the output of **222** (V_a) is R-S-V₁ (**204-202-262**) due to all the values of the resistor of the

input block are equal to 1 kΩ, except for the resistor **234** (R₁₄), which is set to 100 kΩ. The voltage **224** (V_a) is passed through the inverting amplifier given by the resistors **226** (R₁₂) and **228** (R₁₃), and the operational amplifier **230** (U₅), generating the voltage **232** (V_n). The voltage **232** (V_n) is given by V₁+S-R, always that the inputs **202** and **204** are equal (S=R) the voltage **232** (V_n) is equal to the voltage **262** (V₁) and the current through the resistor **234** (R₁₄) is zero.

The operation of the output block according to the present invention may be described as follows: the input voltage for this block is **262** (V₁) that is passed through a buffer **236** (U₆) and after a low pass filter comprising resistor **238** (R₁₅) and the capacitor **240** (C₃), this signal is passed by a buffer **242** (U₇) and a comparator **244** (U₈), generating the output signal **246** (Q).

The nonlinear oscillator has the following relationship between the electronic components in FIG. 2 and the parameters of the mathematical model are:

$$\alpha = \frac{C_2}{C_1}, \beta = \frac{C_2 R_0^2}{L}, \gamma = \frac{C_2 R_0 r}{L}, a = -\frac{R_0 R_2}{R_1 R_2}, b_1 = -\frac{R_0 R_2}{R_1 R_3} + \frac{R_0}{R_4},$$

$$b_2 = -\frac{R_0 R_2}{R_1 R_3} + \frac{R_0}{R_5},$$

where the capacitor **260** C₁ = 100nF, the capacitor **254** C₂ = 1μF, the inductor **250** L = 67.1 mH with internal resistance **248** r = 2.57 Ω, the resistors **270** (R₂) and **268** (R₃) equal to 220Ω. The resistors **258** (R₀), **272** (R₁), **276** (R₂) and **280** (R₃) are 5 kΩ potentiometers. The potentiometer **258** R₀ is tuned to 1003 Ω the others according to the Table 2. The parameter b₁ is active when the diode **274** D₁ is forward bias voltage and the parameter b₂ is active when the diode **278** D₂ is forward bias voltage.

25

TABLE 2

	Bistable	Astable	Monostable
R ₁ tune to	884 Ω	825 Ω	884 Ω
R ₃ tune to	4.062 kΩ	3.058 kΩ	4.062 kΩ

R_5 tune to	4.062 k Ω	3.058 k Ω	3.515 k Ω
---------------	------------------	------------------	------------------

The bistable form of multivibrator illustrated in Figure 2 is controlled by the inputs according to the table 1 and the potentiometers **272** (R_3), **276** (R_4) and **280** (R_5) tune according to the table 2.

When the dynamically multivibrator element is configured as bistable, it becomes part, for example, of a full SR flip-flop device. Thus, Figure 3 is a series of timing graph illustrating timing sequences of implementations of a representative bistable multivibrator configuration formed in accordance with the arrangements disclosed in an specific embodiment of the invention, which generates a full SR flip-flop. The timing sequences of the exemplary bistable multivibrator implementation, from top to bottom, represent: (1) first input S; (2) second input R; and (3) the output Q.

An advantage of the bistable form of the multivibrator according to the present invention is that all the entries are allowed, i.e., the system is determined for a particular entry (S,R)=(1,1); as is shown in the table 1.

The astable form of multivibrator illustrated in Figure 2 is free-running when the potentiometers **272** (R_3), **276** (R_4) and **280** (R_5) are tuned according to the table 2, and the inputs are set at zero volts.

When the dynamically multivibrator element is configured as astable, it becomes part of a, for example, a noise generator. Therefore, Figure 4 is a series of timing graph illustrating timing sequences of implementations of a representative astable multivibrator configuration formed in accordance with a particular example of the dynamically reconfigurable multivibrator element of the instant invention. This multivibrator generates an aperiodic rectangular output wave and also can generate periodic rectangular output wave. The input circuitry can be omitted, since the astable multivibrator is shown in a free-running form, so the line form the resistor **234** to the

node **262** (V_1) can be shut off.

An advantage of the astable form of the multivibrator according to the present invention provides for equal rise and fall times on the square wave, as well as symmetrical on and off periods. Furthermore, due to its nonlinear dynamics and the possibility to produce chaos is possible to generate irregular or chaotic square wave that can be used as a noise generator.

The monostable form of multivibrator illustrated in Figure 2 is free-running when the potentiometers **272** (R_1), **276** (R_2) and **280** (R_3) are tuned according to Table 2, and the inputs are set at zero volts.

In such monostable configuration, Figure 5 represents a series of timing graph illustrating timing sequences of implementations of a representative monostable multivibrator configuration formed according to the dynamically reconfigurable multivibrator element disclosed above.

As a consequence, one multivibrator, a set of multivibrators, or all of the multivibrators within the system can change functionality according to data provided as in Table 2, which parameters can change according to the application of the dynamically reconfigurable multivibrator element using an example that has incorporated specific analog components. Those skilled in the art will recognize that such components have been provided for purposes of illustration only. Therefore, any variety of different components, whether functional equivalents, variants, or alternatives of the analog components or of the higher level components (i.e. of Figure 1) disclosed herein, can be used and are within the scope of the invention. As such, the invention is not limited to the use of a particular component or set of components.

In light of the above description, a dynamically reconfigurable multivibrator element is designed by adding modulation parameters which modify the stability properties of the linear subsystems. Because the chaos generation is exploited, the

multivibrator element incorporates dynamical features onto the a logic-gate architecture.

Thus, the proposed dynamical logic structure is more adaptable than static logic-gates, as it is reconfigurable by parametric modulation. The reconfiguration allows us to achieve distinct tasks with the same circuit. that is, the proposed architecture might
5 serve as a component of general purpose computing devices with a flexible structure. As a consequence of the parametric modulation, diverse scrolls are generated or inhibited around the equilibrium points of the continuously connected sections of the nonlinear (chaotic) system (such as the PWL system).

10

CLAIMS

1. A dynamically reconfigurable multivibrator element comprising:
an input block coupled to a nonlinear chaotic system with a control input that adjust
5 parameters in order to change a desirable multivibrator configuration and coupled to an
output block;

wherein the adjustment of the parameters allows to get the three different
multivibrator configurations, astable, bistable and monostable; and

wherein the nonlinear chaotic system is a Piecewise-linear (PWL) chaotic system.

2. The dynamically reconfigurable multivibrator element according to claim 1, wherein
the output block comprises at least one comparator circuit.

3. The dynamically reconfigurable multivibrator element according to claim 1, wherein
5 is set to bistable configuration becomes the embodiment of a full SR flip-flop.

4. The dynamically reconfigurable multivibrator element according to claim 5, wherein
the full RS flip-flop accept all the logic inputs (S,R): (0,0), (0,1), (1,0) and (1,1) and
responds as (Q_{n+1}): Q_n , 0, 1, and Q_n , respectively.

5. The dynamically reconfigurable multivibrator element according to claim 1, wherein
when is set to astable configuration becomes the embodiment of a pulse generator with
irregular period when the nonlinear element is oscillating chaotically or regular pulses when
is oscillating into a limit cycle.

6. The dynamically reconfigurable multivibrator element according to claim 1, wherein
when is set to monostable configuration becomes unstable in the state logic zero and stable
in the state logic one.

7. A dynamically reconfigurable multivibrator element, comprising an input block, a
30 piecewise-linear (PWL) chaotic system with a control input that adjusts the parameters in
order to change a desirable multivibrator configuration, and an output block with at least
one comparator circuit;

wherein the adjustment of the parameters allows to get the three different
35 multivibrator configurations, astable, bistable and monostable.

8. A SR flip-flop device, comprising the dynamically reconfigurable multivibrator
element as claimed in claim 1.

9. A SR flip-flop device, comprising the dynamically reconfigurable multivibrator element as claimed in claim 7.

10. A pulse generator device, comprising the dynamically reconfigurable multivibrator element as claimed in claim 1.

11. A pulse generator device, comprising the dynamically reconfigurable multivibrator element as claimed in claim 7.

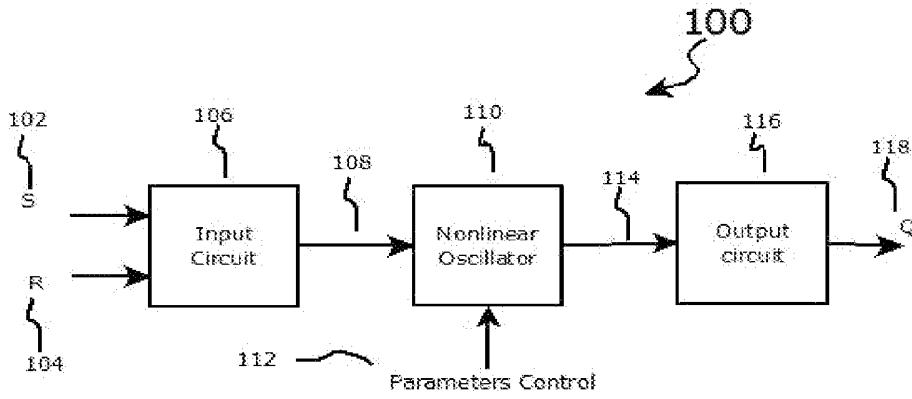


Fig. 1

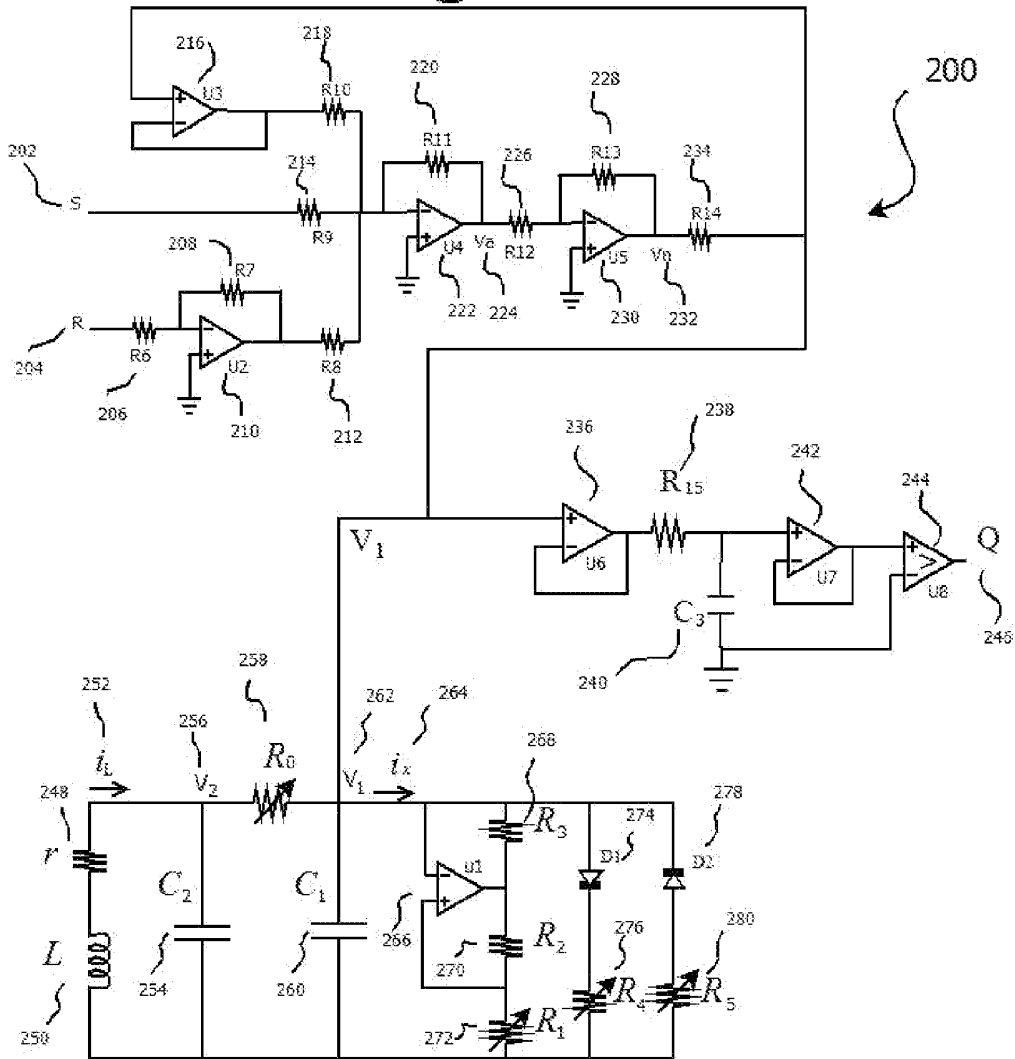


Fig. 2

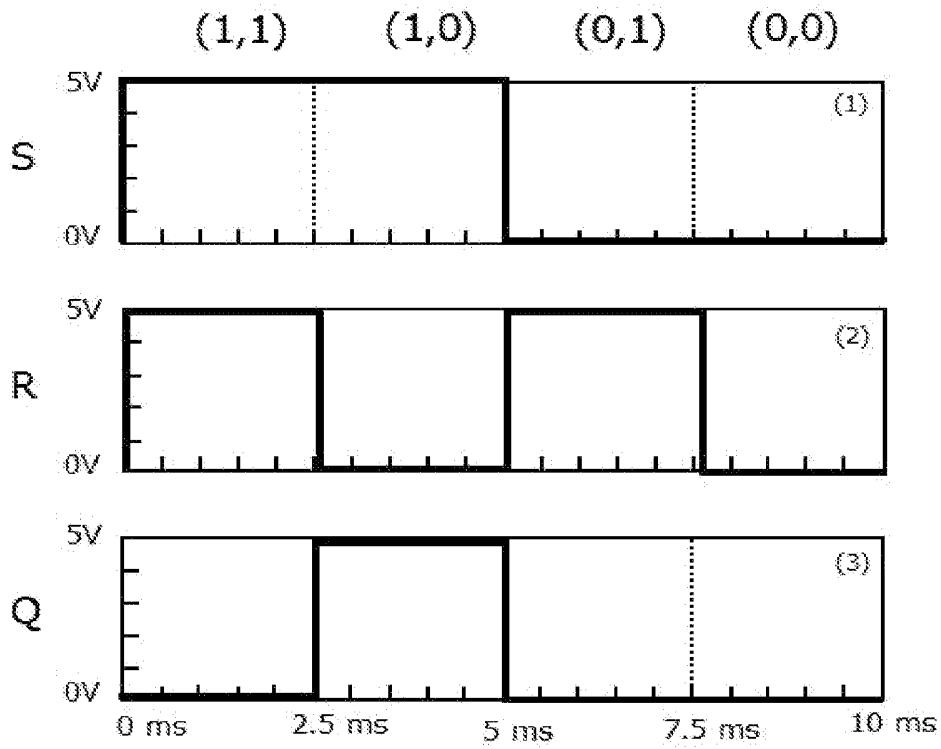


Fig. 3

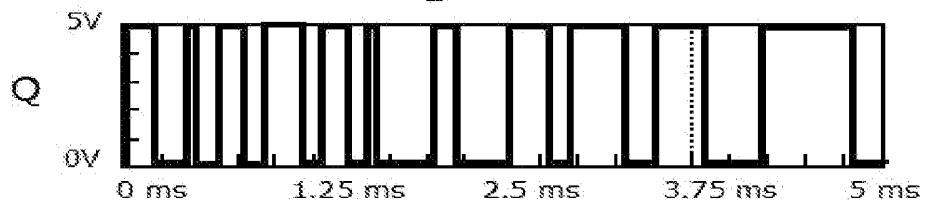


Fig. 4

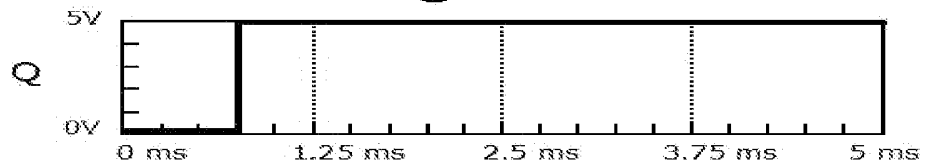


Fig. 5